

Emergency Extraction Information for Aircraft N704TK



Aircraft Type: RV-4
Registration: N704TK
Pilot Name: Axel Ivarez
Emergency Contact Name:
Date: 30 May 2016

Electrical/Ignition System N704TK

Two ignition switches. Down position is OFF.



Three Battery switches. Down position is OFF.

Harnesses N704TK

Turn round buckle clock wise or counter-clockwise to open/release.

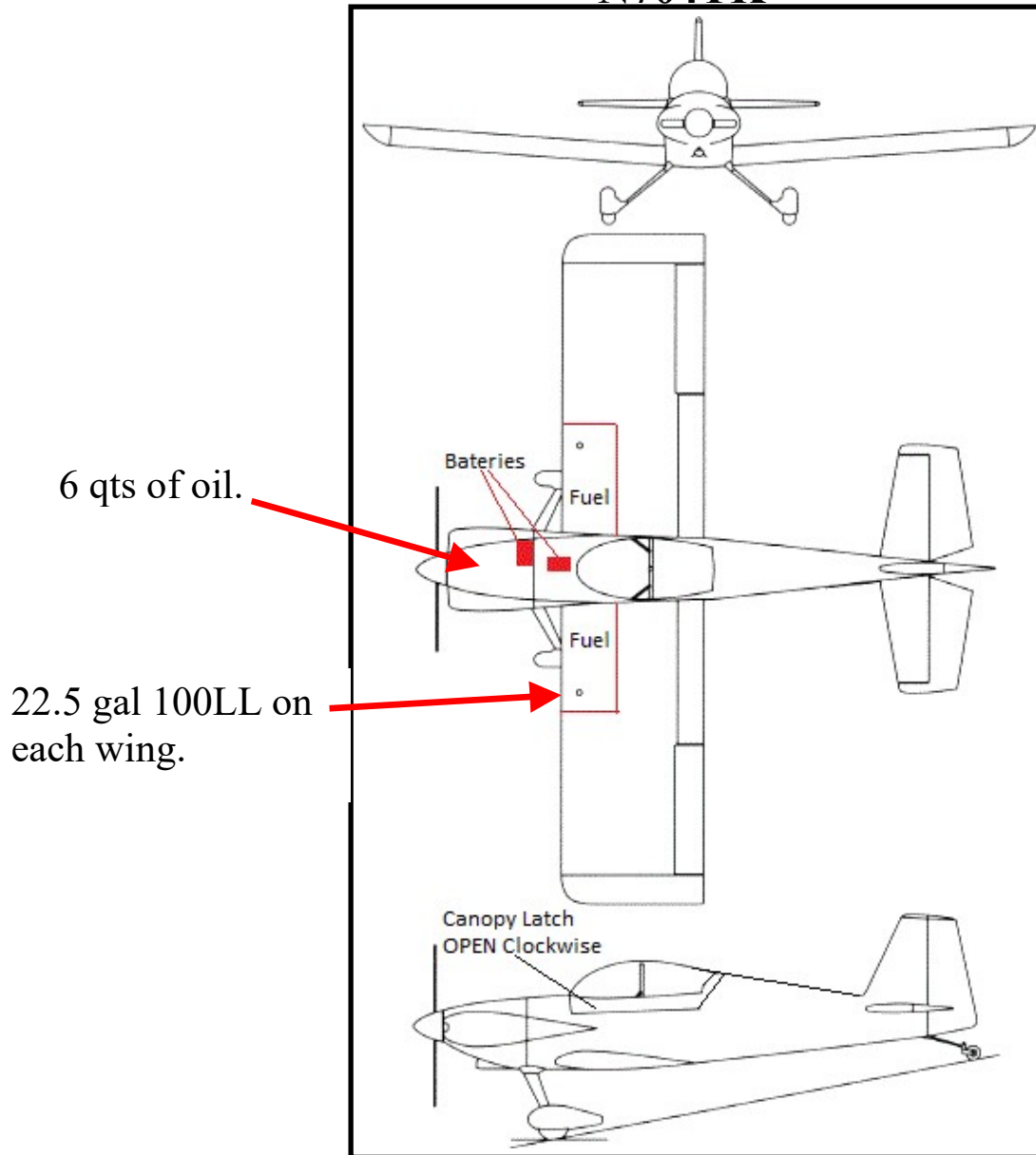


Aircraft Type: RV-4
Registration: N704TK
Pilot Name: Axel Alvarez
Emergency Contact Name:
Date: 30 May 2016

Ejection System N704TK

Not Applicable

Hazmat N704TK

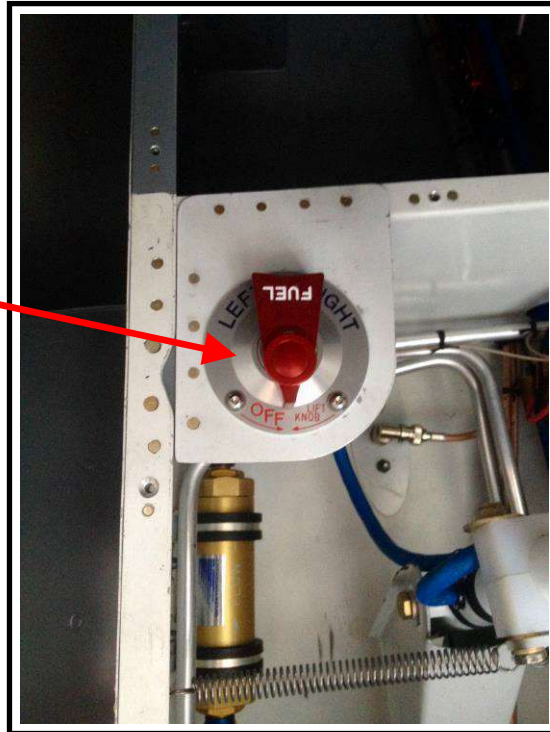


Aircraft Type: RV-4
Registration: N704TK
Pilot Name: Axel Alvarez
Emergency Contact Name:
Date: 30 May 2016

Fuel System N704TK

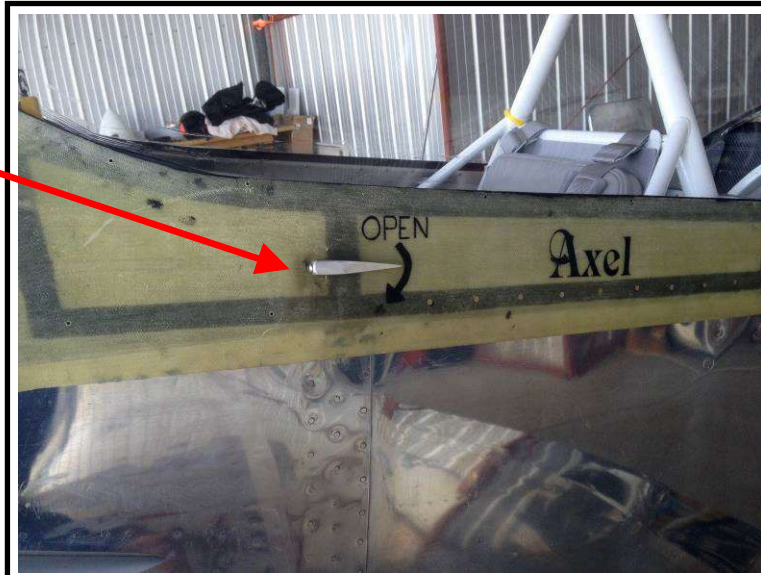
Fuel valve shown in OFF position. Pull round knob up, turn red triangular lever clockwise or counter-clockwise to shut off.

Valve located between pilot's legs by the aileron/elevator control stick.



Canopy System N704TK

To OPEN turn canopy handle clockwise. Hold handle down then push canopy away/up. Canopy opens to the side.



Aircraft Type: RV-4
Registration: N704TK
Pilot Name: Axel Alvarez
Emergency Contact Name:
Date: 30 May 2016